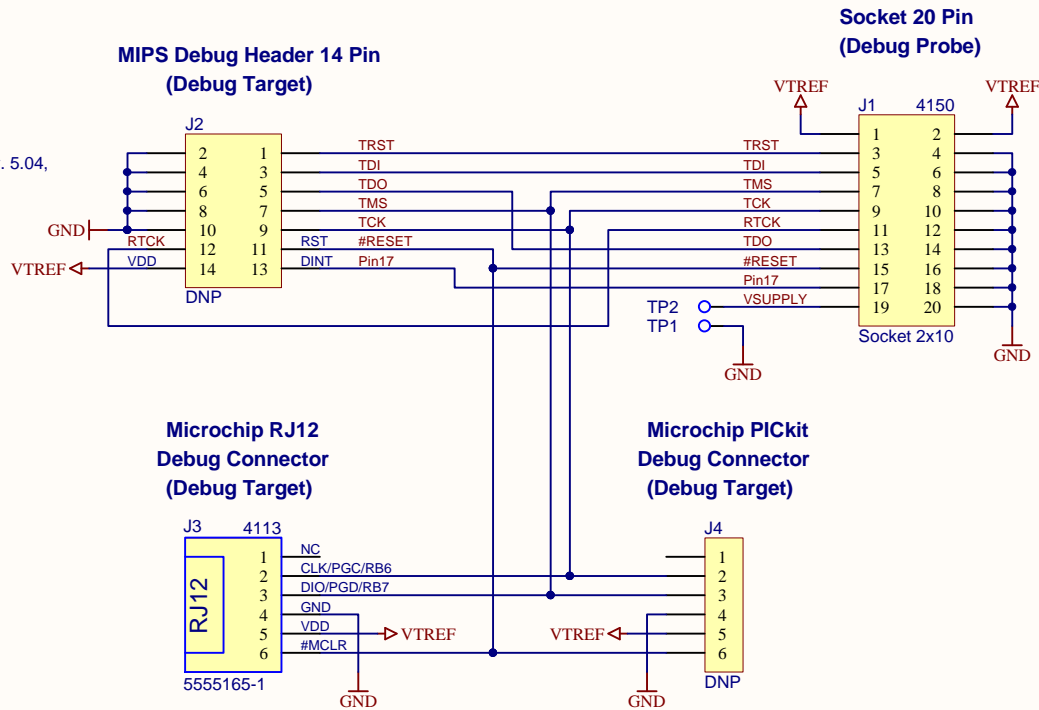



Specification:  
 Compare MIPS® EJTAG Specification, Rev. 5.04,  
 chpt. 10.4 "Mechanical Connector"

Explorer Board:  
 Pin 1, Pin 13: Not connected  
 Pin 12: Not connected + keyed



History / Changes		 <b>J-Link™ Technology</b> <a href="http://www.segger.com">www.segger.com</a>
Initial Version		
Title		
<b>J-Link Microchip Adapter</b>		
Size	Number	Revision
A4	-	-
Date: 31.07.2013		Sheet 1 / 1
File: J_Link_Microchip_Adapter.SchDoc		Drawn: VK

L W R U