

Type 25 Devices
Mounted on PCB top side

Type 45 Devices
Mounted on PCB bottom side

VCC3V3

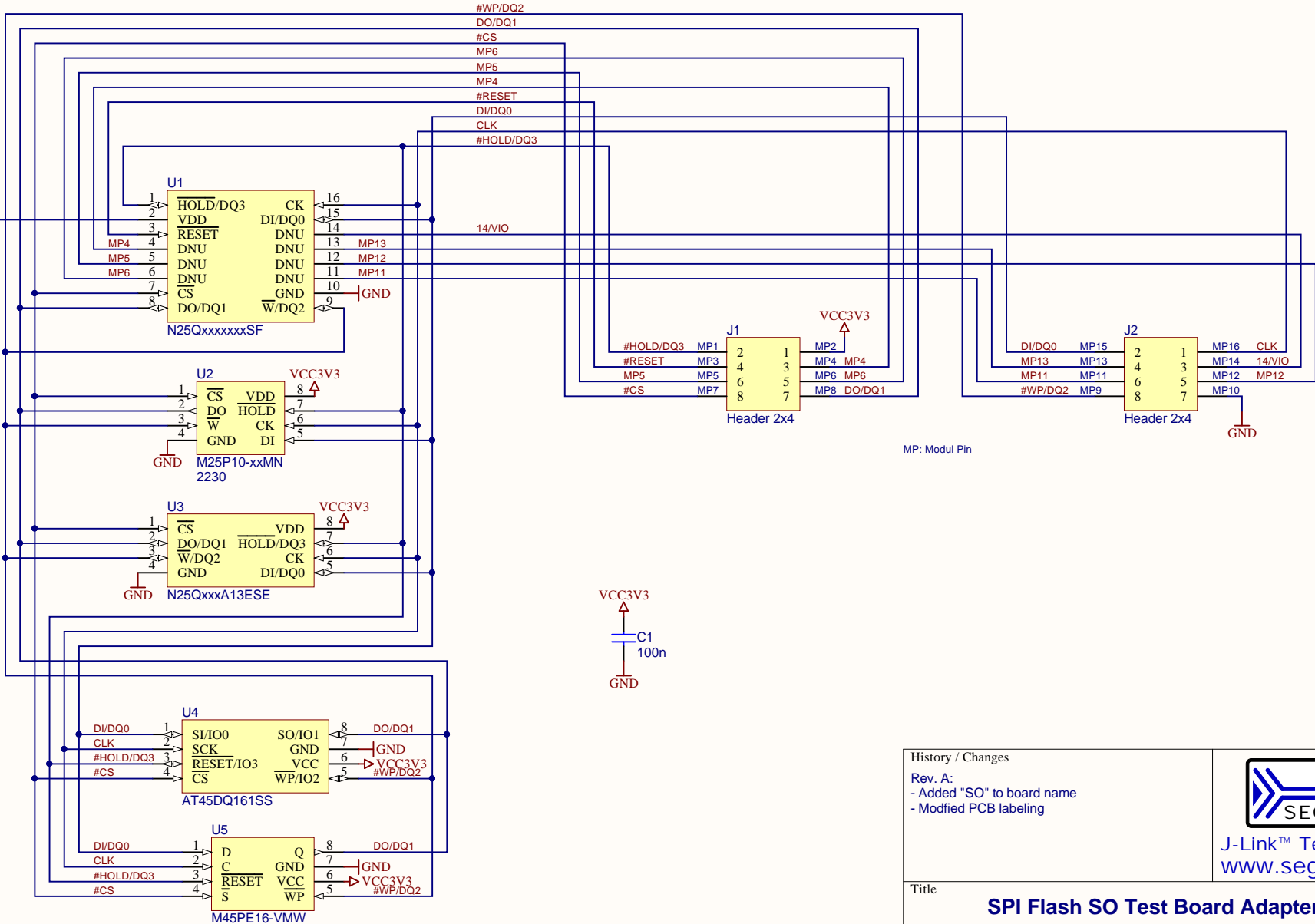
SO16W

SO8

SO8W

SO8

SO8W



MP: Modul Pin

History / Changes
 Rev. A:
 - Added "SO" to board name
 - Modified PCB labeling



J-Link™ Technology
www.segger.com

Title SPI Flash SO Test Board Adapter		
Size A4	Number -	Revision Rev. A
Date: 190902		Sheet 1 / 1
File: SPIFlash_SO TestBoard_Adapter_RevA.SchDoc		